

GTR3

FULLY AUTOMATIC TEST MACHINE FOR FLAP DISCS, FIBER DISCS AND GRINDING DISCS



TYPE OF MACHINE
Automatic

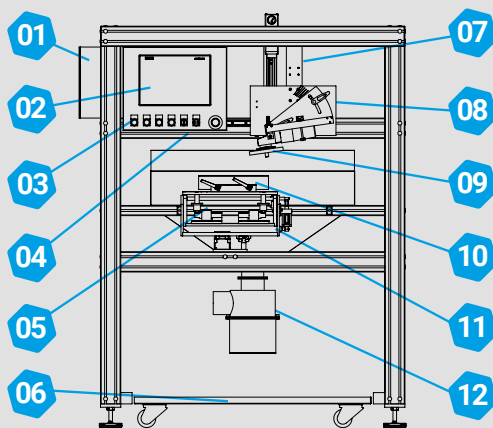
DIMENSIONS
Length: 1350 mm
Width: 850 mm
Height: 1800 mm

WEIGHT
< 300 Kg

TYPE OF OPERATION
Electro-mechanical

NOISE
< 75 dB

MAIN COMPONENTS



- | | | | |
|-----------|---------------------------|-----------|-------------------------------|
| 01 | ON/OFF switch | 07 | Vertical axis |
| 02 | Simatic HMI panel | 08 | Grinder adjustment |
| 03 | Main commands | 09 | Electrical grinder |
| 04 | USB port | 10 | Test piece |
| 05 | Load cells | 11 | Tilting actuator |
| 06 | Abrasive collection plate | 12 | Collector of grinded material |

PRESTAZIONI DI PRODUZIONE

Supply voltage 400 V ac

Absorbed power 3 kW

DISCS Diameter 100 ~ 180 mm

CARATTERISTICHE PNEUMATICHE

Maximum required pressure max 10 bar (1 Mpa)

Air consumption max 10 litri/minuto