

# MBR105-ACR



## FULLY AUTOMATIC FLAP DISC MACHINE WITH AUTOMATIC CLOTH ROLLS RELOAD



### TYPE OF MACHINE

Automatic

### DIMENSIONS, WITHOUT GLUE PUMP

Length: 3200 mm

Width: 2000 mm

Height: 2000 mm

### DIMENSIONS, WITH P200 GLUE PUMP

Length: 4150 mm

Width: 2000 mm

Height: 2000 mm

### WEIGHT WITHOUT GLUE PUMP

1600 Kg

### WEIGHT WITH P200 GLUE PUMP

1800 Kg

### PROTECTION OF THE CONTROLS CABINET

IP 55

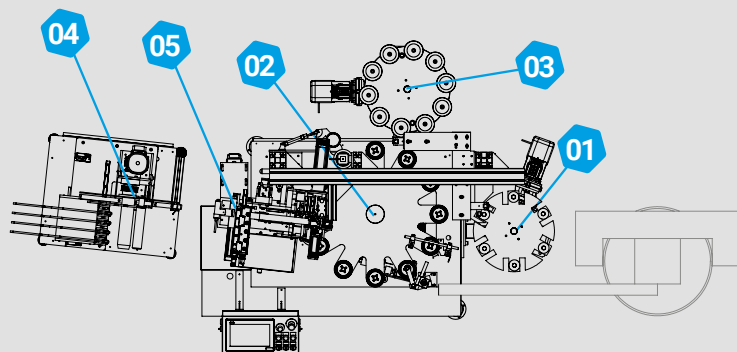
### TYPE OF OPERATION

Electro-mechanical

### NOISE

75 dB

## MAIN COMPONENTS



**01** Rotary 6 positions loading table for flap disc backings.  
Maximum capacity: 1200 pieces

**02** Main rotating table with 12 positions

**03** Rotary 6 positions discharge table of finished flap discs

**04** Cloth rolls feeder

**05** Automatic cloth reloader

### PRODUCTION PERFORMANCES

Ø discs	100 ÷ 180 mm
Ø hole	16 / 22 mm
Flap length	20 ÷ 35 mm
Flap width	15 ÷ 25 mm passo 0,1 mm
Number of flaps	36 ÷ 150
Discs / min	19 (lamella singola) 24 (lamella doppia)

### ELECTRICAL CHARACTERISTICS

Required power	4 kW
Power consumption	3 kW
Supply voltage	400 V ac (others upon request)
Auxiliary voltage	24 V
Frequency	50Hz
Configuration	Three phase + Earth + Neutral

### PNEUMATIC FEATURES

Max pressure required	10 bar (1.0 Mpa)
Work pressure	4 bar (0.4 Mpa)
Glue dispenser pressure	6 bar (0.6 Mpa)
Glue pump pressure	4 bar (0.4 Mpa)
Consumption of compressed air (lit./min.)	100 litri/minuto