

ADS-34

LOOP CHAIN FOR AUTOMATIC DISCHARGE OF FLAP DISCS, MADE FOR MBR 105



TYPE OF MACHINE

Automatic

COMPATIBLE WITH

All models of MBR 105

NUMBER OF RODS: 34

NUMBER OF ACCESSIBLE RODS: 7

COMPATIBLE RODS:

with spring and pin
with thread and nut

PRESS FOR FLAP DISCS

integrated with the MBR machine

COMANDI:

manual and through HMI panel

SAFETY:

Sensors and safety light barriers

DIMENSIONS:

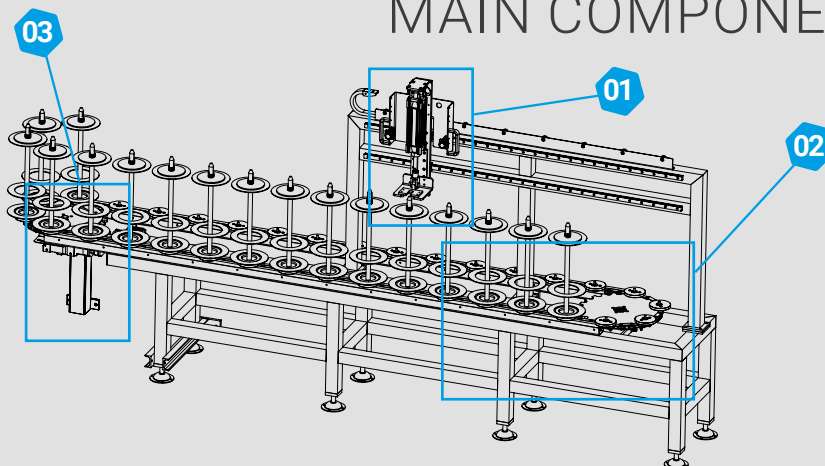
2300 X 700 X 1800 mm

The dimensions do not include the
MBR 105

WEIGHT

Kg. 300

MAIN COMPONENTS



01 Pressing area

02 Unloading area

03 Connection to MBR 105